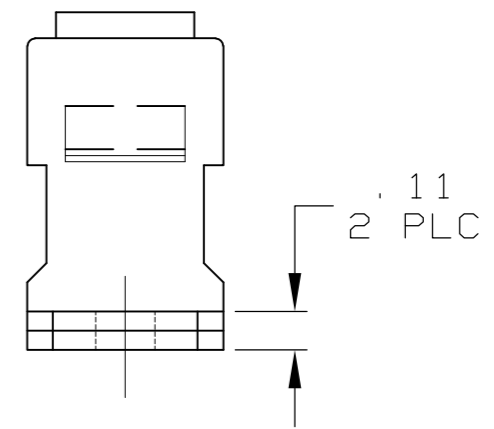
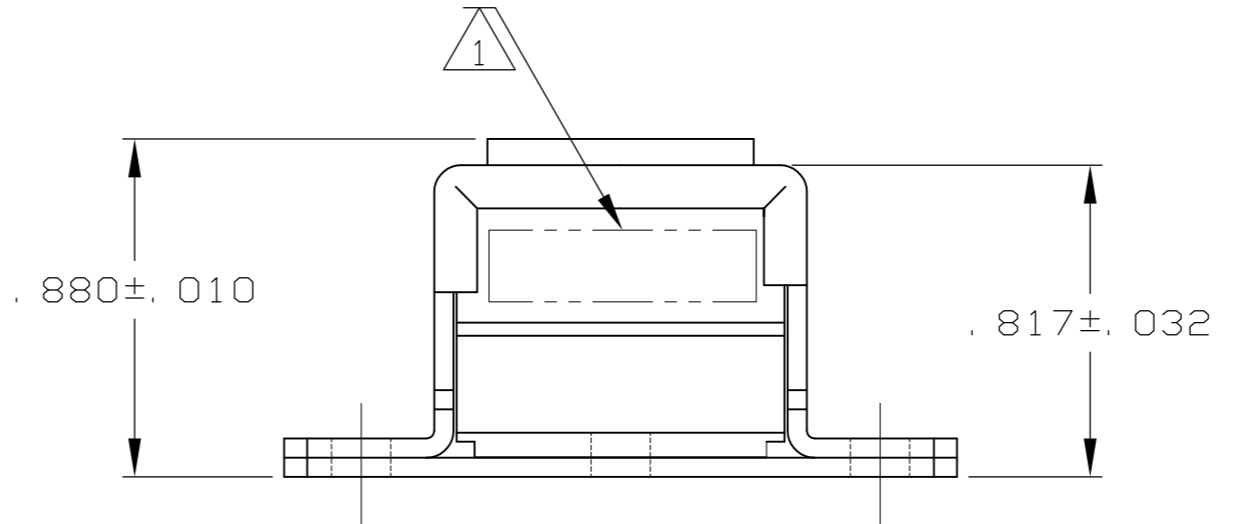
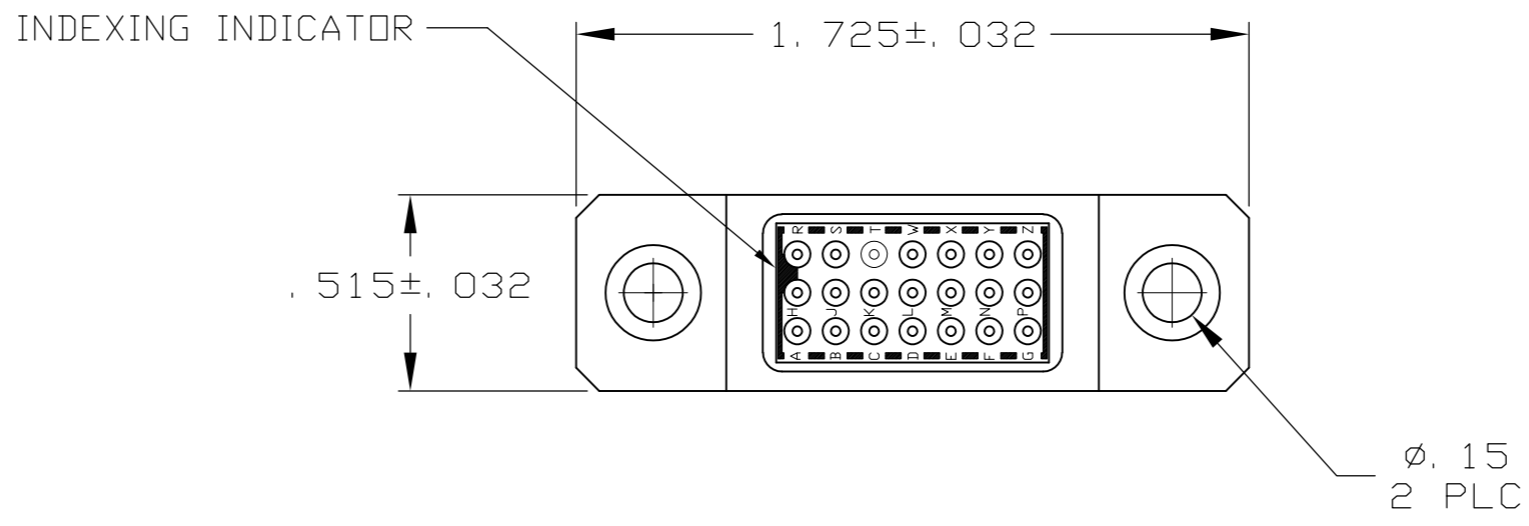


THIS DRAWING IS UNPUBLISHED.		RELEASED FOR PUBLICATION	
© COPYRIGHT BY TYCO ELECTRONICS CORPORATION. ALL RIGHTS RESERVED.			
DESCRIPTION	MATERIAL	FINISH	
GROMMET	FLUID RESISTANT SILICONE	COLOR: GREEN	
MODULE ASSEMBLY	D.A.P. PER MIL-M-14 TYPE SDG-F	COLOR: GREEN	
CONTACT, SOCKET ASSEMBLY	BERYLLIUM COPPER PER ASTM-B194	GOLD PLATE PER MIL-G-45204	
CLIP CONTACT RETAINING	BERYLLIUM COPPER PER ASTM-B194 OR SST PER QQ-S-766	NONE	
BRACKET / GROUNDING PLATE	AL-ALLOY 6061-T4	ELECTROLESS NICKEL PER QQ-N-290	
CONTACTS	COPPER ALLOY PER MIL-C-32029/1	GOLD PLATE PER MIL-G-45204	
SEALING PLUGS	F.E.P. PER MIL-P-19468	COLOR: BLACK	

LDC	DIST	REVISIONS					
		P	LTR	DESCRIPTION	DATE	DWN	APVD
DF	AO	B		REV PER ECD 07-001386	1-19-07	CT	DE
		C		REV PER ECD 08-011578	05-12-08	CT	DE



- 1 MODULE ASSEMBLY MARKED WITH "AMP", AMP PART NO. AND DATE CODE IN APPROX AREA SHOWN.
- 2 CONTACTS AND SEALING PLUGS SUPPLIED WITH MODULE ASSY.

-	SIZE 21	592840-2
2	SIZE 21	592840-1
REMARKS	DESCRIPTION	PART NO.

THIS DRAWING IS A CONTROLLED DOCUMENT.		DWN	C. C. THOMAS	8-24-04	Tyco Electronics Corporation Harrisburg, Pa 17105-3608	
DIMENSIONS: INCHES		CHK	D. EABY	8-24-04		
TOLERANCES UNLESS OTHERWISE SPECIFIED:		APVD	D. EABY	8-24-04		
0 PLC ± - 1 PLC ± - 2 PLC ± .02 3 PLC ± .005 4 PLC ± - ANGLES ± -		PRODUCT SPEC				
MATERIAL: SEE TABLE		FINISH	SEE TABLE		NAME	MODULE ASSEMBLY W/GROUNDING BRACKET, SIZE 21, TJ
		WEIGHT	-		SIZE	A2
		CUSTOMER DRAWING			CAGE CODE	00779
		SCALE	2:1		DRAWING NO	C-592840
		SHEET	1 OF 1		RESTRICTED TO	-
		REV	C			

592840