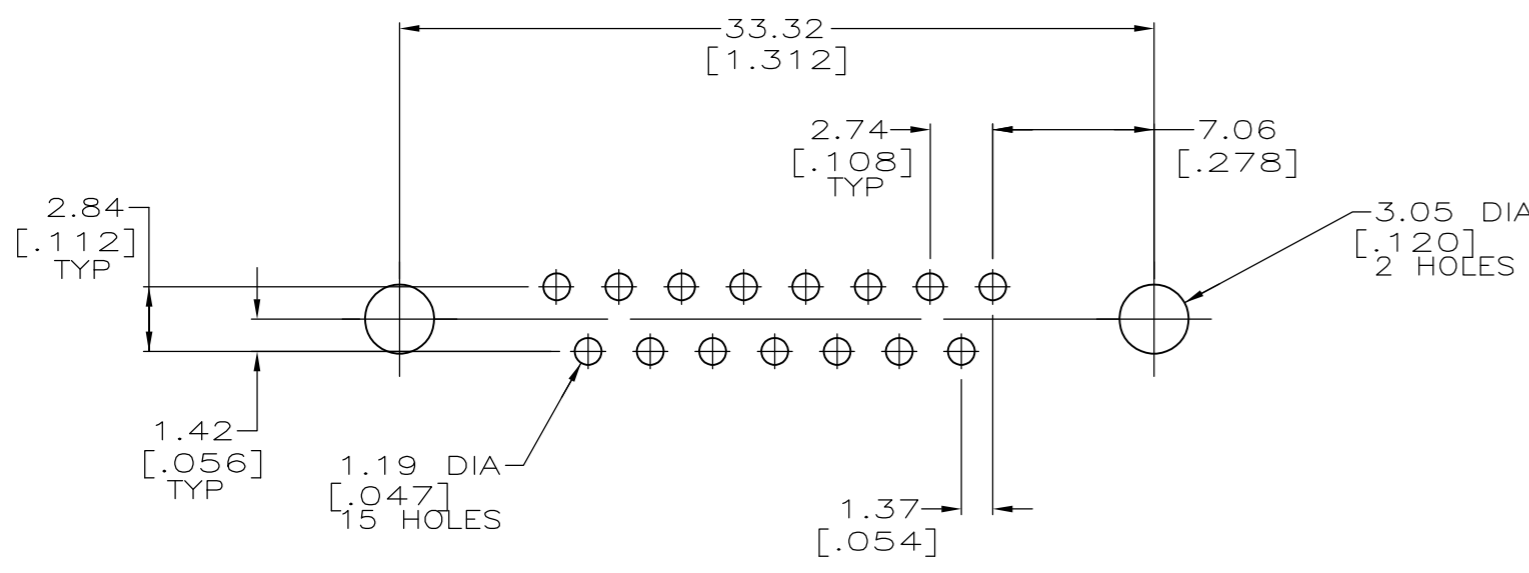
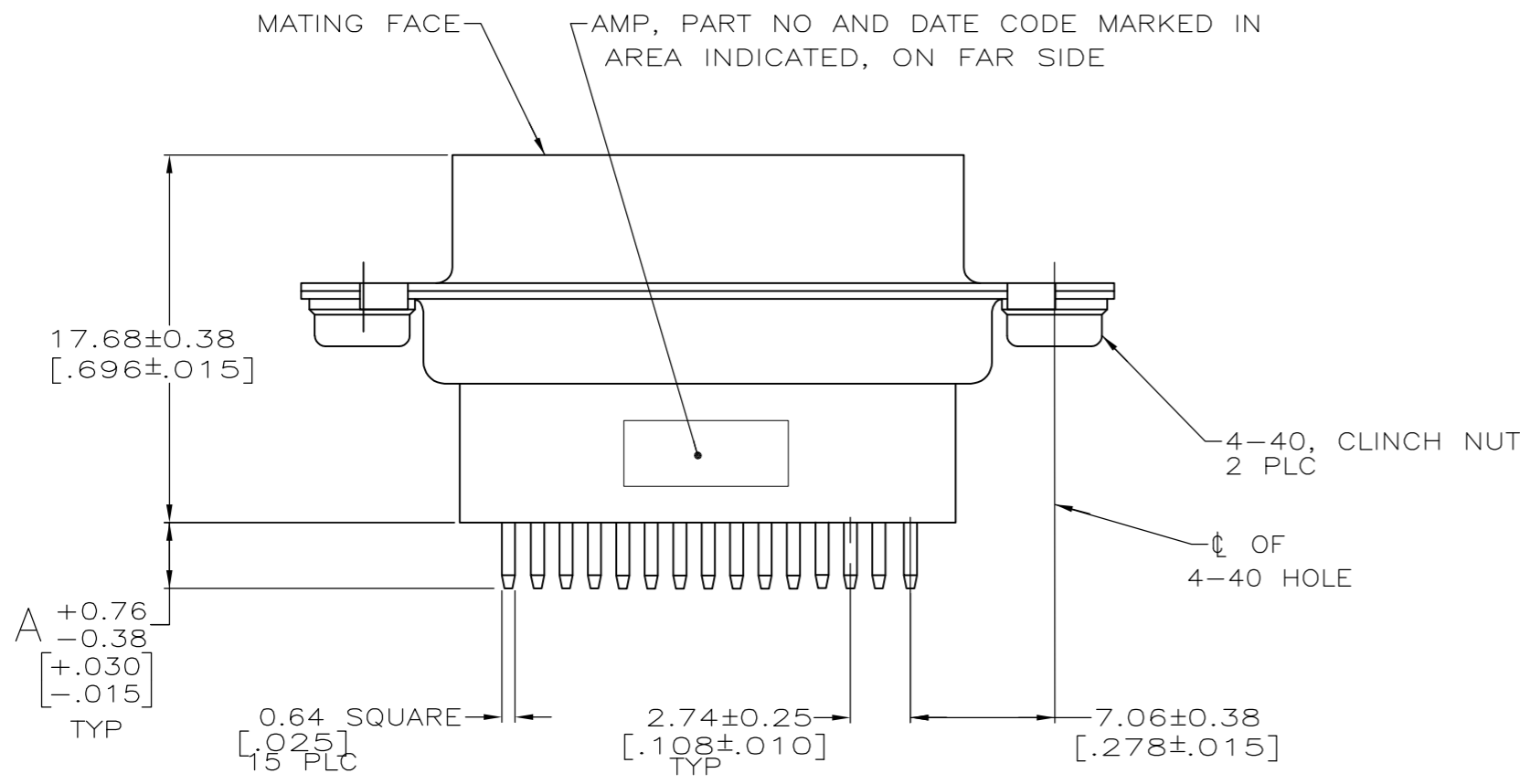
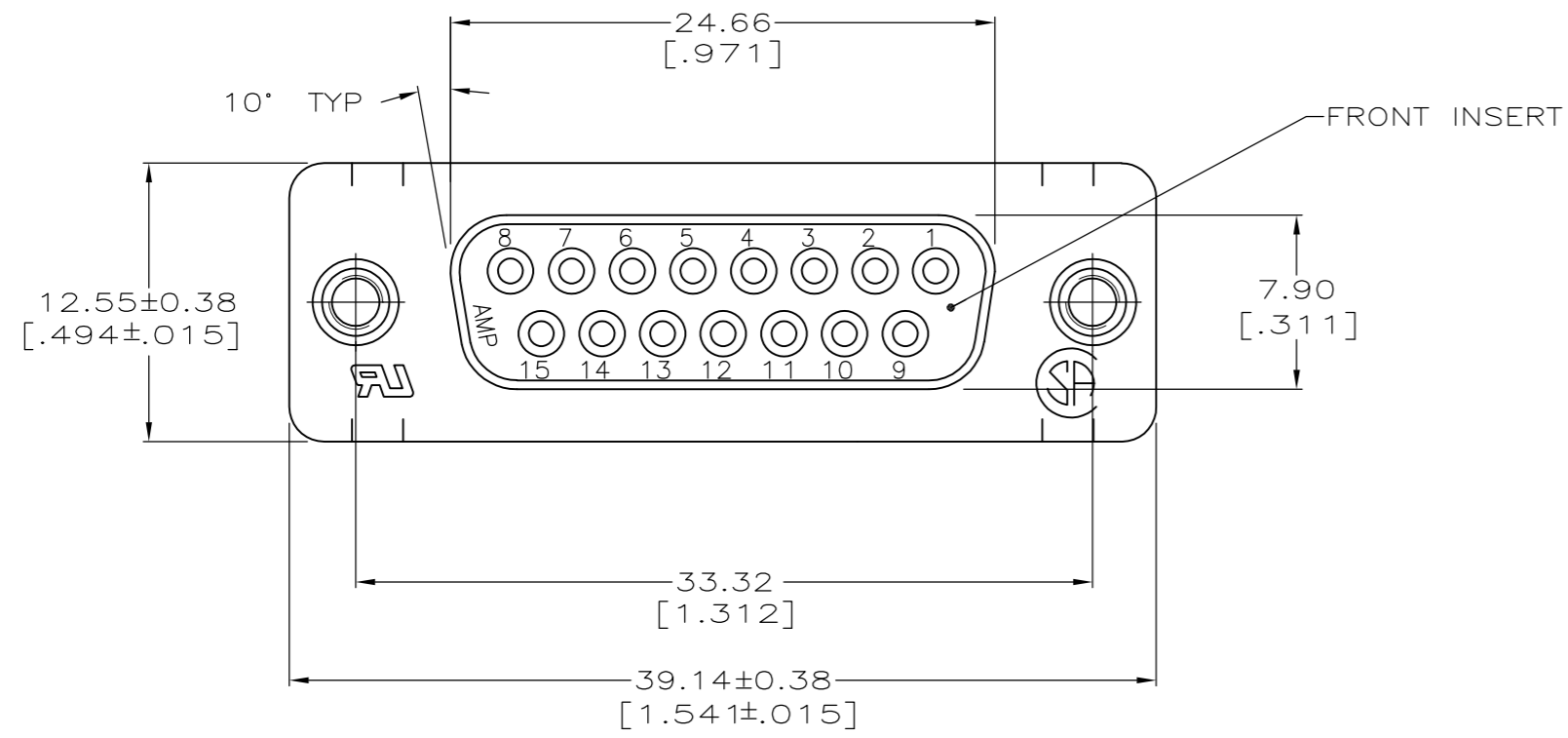


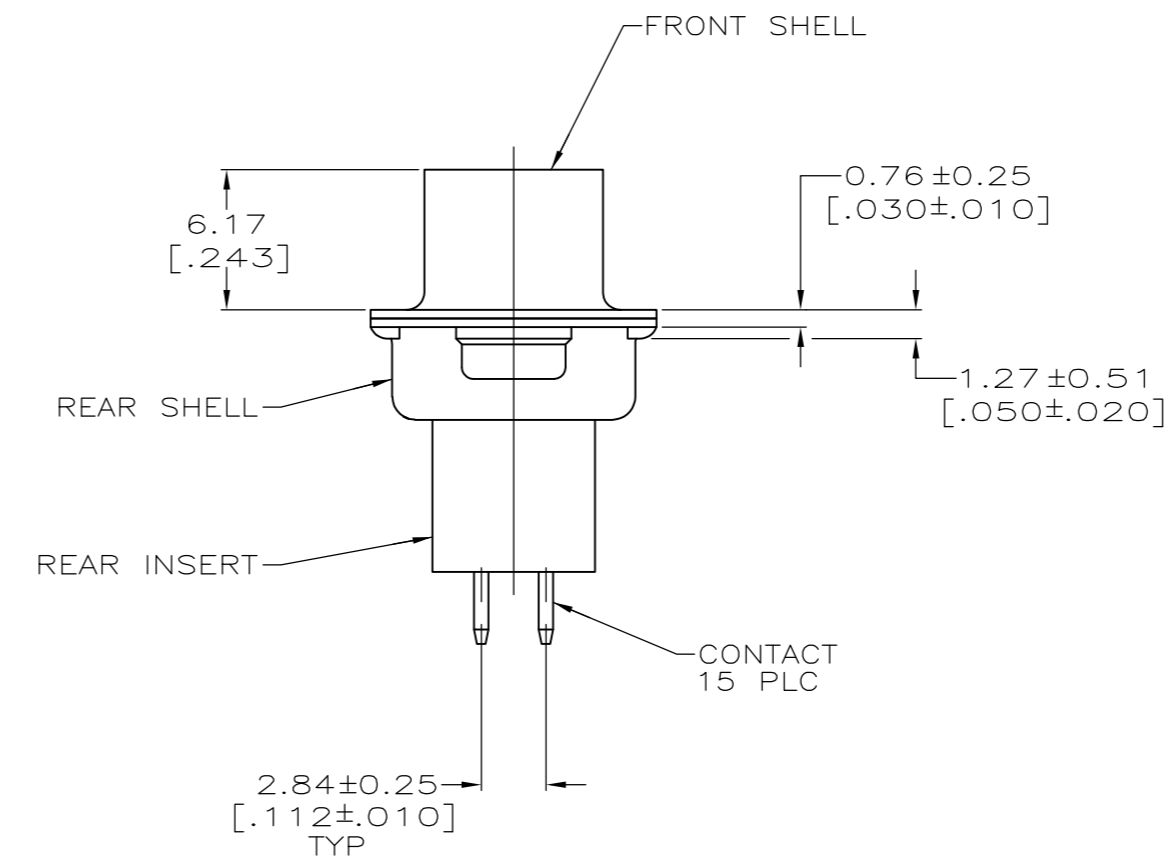
THIS DRAWING IS UNPUBLISHED. RELEASED FOR PUBLICATION
 © COPYRIGHT - By - ALL RIGHTS RESERVED.

LOC		DIST		REVISIONS			
P	LTR	DESCRIPTION		DATE	DWN	APVD	
GP	00	L	REVISED PER ECO-14-011808	12AUG2014	AP	SB	



RECOMMENDED PC BOARD MOUNTING DIMENSIONS

- ① HOUSING: GLASS-FILLED PBT OR GLASS-FILLED NYLON, UL94V-0 RATED. COLOR: BLACK.
 CONTACTS: PHOSPHOR BRONZE
 SHELLS: CARBON STEEL
 CLINCH NUT: CARBON STEEL
- ② GOLD FLASH FOR LENGTH OF 2.54 [.100] MIN FROM MATING END, 2.54µm [.000100] MIN TIN OR TIN-LEAD FOR A LENGTH OF DIMENSION A FROM OPPOSITE END, BOTH OVER 1.27µm [.000050] MIN NICKEL.
- ③ 0.76µm [.000030] MIN GOLD FOR LENGTH OF 2.54 [.100] MIN FROM MATING END, 2.54µm [.000100] MIN TIN OR TIN-LEAD FOR A LENGTH OF DIMENSION A FROM OPPOSITE END, BOTH OVER 1.27µm [.000050] MIN NICKEL.
 -OR-
 GOLD FLASH OVER PALLADIUM-NICKEL, 0.76µm [.000030] MIN TOTAL, FOR A LENGTH OF 2.54 [.100] MIN FROM MATING END, 2.54µm [.000100] MIN TIN OR TIN-LEAD FOR A LENGTH OF DIMENSION A FROM OPPOSITE END, BOTH OVER 1.27µm [.000050] MIN NICKEL.
- ④ SHELLS: 5.08µm [.000200] MIN TIN OVER 2.54µm [.000100] MIN COPPER
 CLINCH NUT: ZINC



SUPSD BY	THICKNESS	FINISH	PART NUMBER
SUPSD BY 745820-1	4.78 [.188]	②	745820-8
OBSOLETE	4.78 [.188]	③	745820-7
OBSOLETE	16.54 [.651]	②	745820-6
OBSOLETE	16.54 [.651]	③	745820-5
SUPSD BY 745820-1	10.85 [.427]	②	745820-4
SUPSD BY 745820-1	10.85 [.427]	③	745820-3
	3.18 [.125]	②	745820-2
	3.18 [.125]	③	745820-1
	DIMENSION A	CONTACT FINISH	PART NUMBER

THIS DRAWING IS A CONTROLLED DOCUMENT.		DWN J.McCLINTON 12-05-89	TE Connectivity RECEPTACLE ASSEMBLY, SIZE 2, 15 POSN, VERTICAL, FRONT METAL SHELL, AMPLIMITE® HD-20	
DIMENSIONS: mm [INCHES]		CHK R.STONE 02-01-90		
TOLERANCES UNLESS OTHERWISE SPECIFIED:		APVD C. ROHDE 2-02-90	NAME	
0 PLC ± -	1 PLC ± -	PRODUCT SPEC	108-40025	
2 PLC ± 0.13 [.005]	3 PLC ± -	APPLICATION SPEC	114-40013	
4 PLC ± -	ANGLES ± 2°	WEIGHT	-	
MATERIAL	FINISH	CUSTOMER DRAWING	SIZE A2	CAGE CODE 00779
CONTACTS: SEE TABLE			DRAWING NO C=745820	RESTRICTED TO -
			SCALE NTS	SHEET 1 OF 1