

THIS DRAWING IS UNPUBLISHED.

RELEASED FOR PUBLICATION

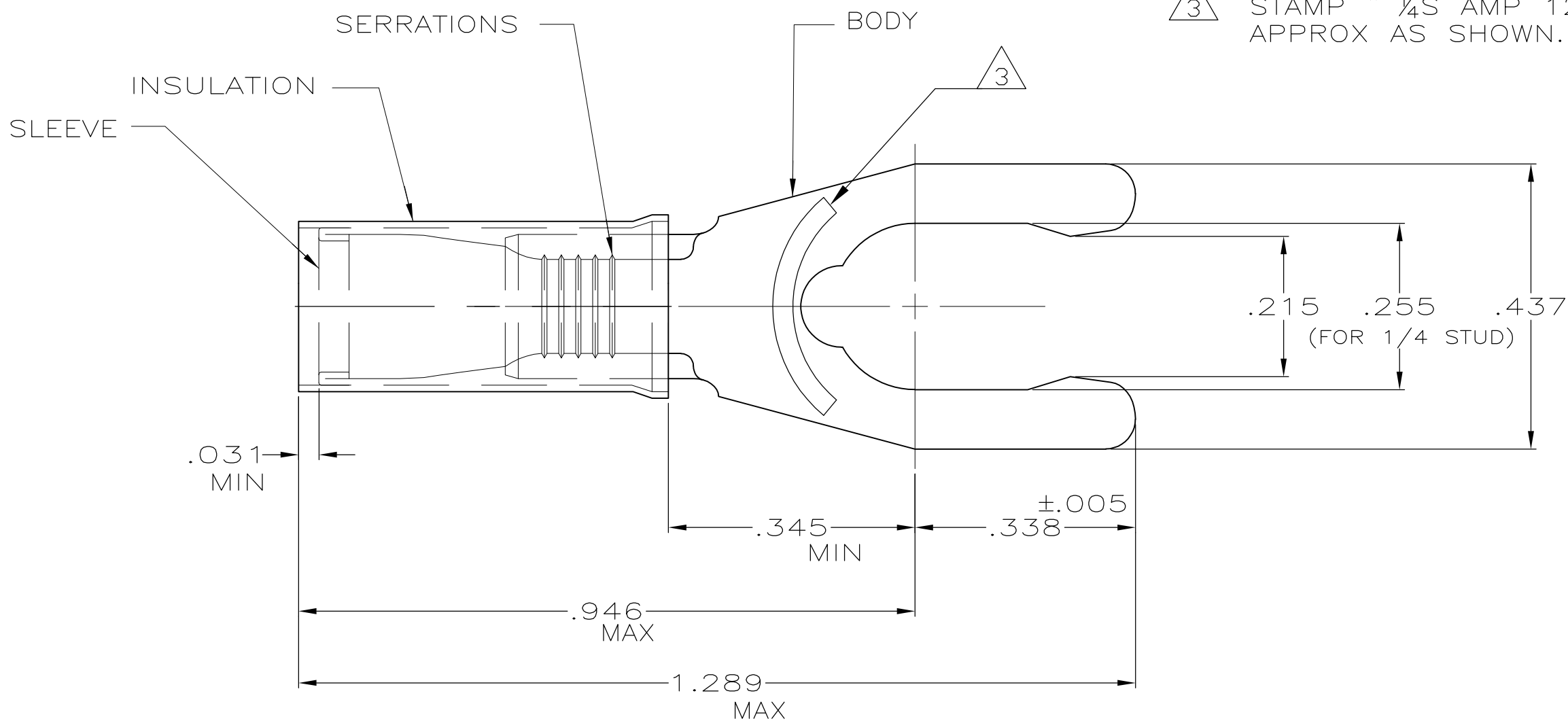
© COPYRIGHT BY TYCO ELECTRONICS CORPORATION.

ALL INTERNATIONAL RIGHTS RESERVED.

LOC	DIST	REVISIONS					
G	14	P	LTR	DESCRIPTION	DATE	DWN	APVD
		N1		REV PER ECR 10-013673	29JUN10	JR	TM

AMP WIRE RANGE	Listed	LR7189 Certified
12-10 AWG SOLID OR STRANDED	12-10 AWG SOLID OR STRANDED	12-10 AWG SOLID OR STRANDED

- 1 FOR WIRE INSULATION DIA (SEE TABLE).
- 2 TONGUE MATERIAL THK IS .0385±.002
- 3 STAMP " ¼S AMP 12-10*", LOCATED APPROX AS SHOWN.



.235 MIN	WIRE TERMINAL ON TAPE	52433-3	INSULATION: NYLON, COLOR: YELLOW
.253 MIN	WIRE TERMINAL	52433-1	SLEEVE: COPPER PER ASTM B-152
WIRE INS. DIA	DESCRIPTION	PART NO.	BODY: PHOS. BRONZE PER ASTM B-103 TIN PLATE PER ASTM B-545
			MATERIAL & FINISH

THIS DRAWING IS A CONTROLLED DOCUMENT.		DWN JR RUTH 06MAR01	Tyco Electronics Corporation Harrisburg, PA 17105-3608	
DIMENSIONS: INCHES		CHK MS FEHER 06MAR01	NAME WIRE TERMINAL, PIDG, SPRING SPADE, 12-10 AWG	
TOLERANCES UNLESS OTHERWISE SPECIFIED:		APVD T MICHELUTTI 06MAR01		
		PRODUCT SPEC -	SIZE A3	
MATERIAL SEE TABLE		FINISH SEE TABLE	APPLICATION SPEC -	CAGE CODE 00779
		WEIGHT -	DRAWING NO G-52433	RESTRICTED TO -
CUSTOMER DRAWING			SCALE 5:1	SHEET 1 OF 1
			REV N1	