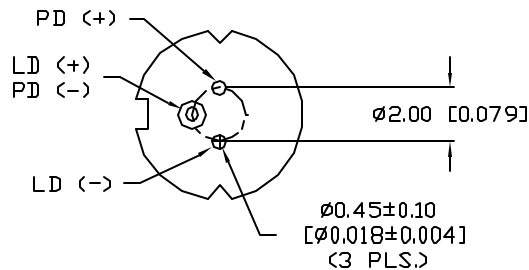
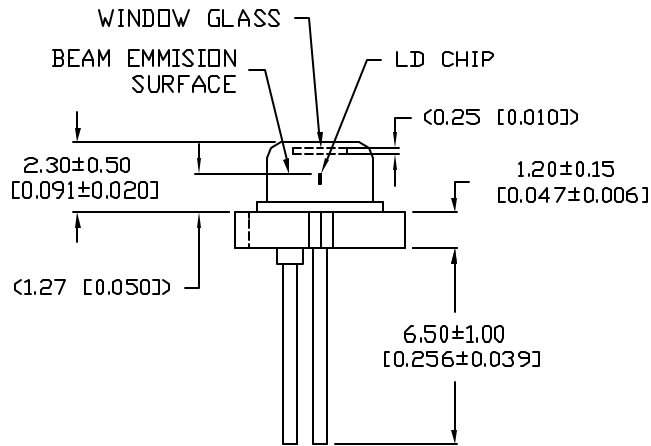
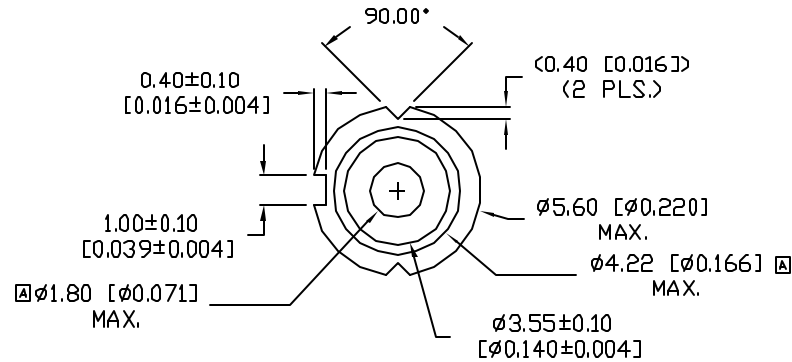


UNCONTROLLED DOCUMENT



PART NUMBER
OED-LDP65001E

REV.
A

REV.	E.C.N. NUMBER AND REVISION COMMENTS	DATE
A	E.C.N. #11375.	12.13.06

ELECTRO-OPTICAL CHARACTERISTICS (T_c=25°C)

PARAMETER	SYMBOL	MIN	TYP	MAX	TEST COND	UNITS
LASING WAVELENGTH	λ		650	660	P _o =5mW	nm
THRESHOLD CURRENT	I _{th}		20	30	CW	mA
OPERATING CURRENT	I _{op}		28	35	P _o =5mW	mA
OPERATING VOLTAGE	V _{op}	2.0	2.2	2.5	P _o =5mW	V
MONITORING CURRENT	I _m	0.1	0.2	0.5	P _o =5mW	mA
BEAM DIVERGENCE:	θ _V		9		P _o =5mW,	deg.
	θ _L		35		FWHM	deg.

ABSOLUTE MAXIMUM RATINGS (T_c=25°C)

PARAMETER	SYMBOL	MAX	UNITS
OPTICAL POWER	P _o	5	mW
LD REVERSE VOLTAGE	V _{R(LD)}	2	V
PD REVERSE VOLTAGE	V _{R(PD)}	30	V
OPERATING TEMP.	T _{op}	-10 TO +40	°C
STORAGE TEMP.	T _{stg}	-40 TO +85	°C



UNCONTROLLED DOCUMENT

*UNLESS OTHERWISE SPECIFIED TOLERANCE IS ±0.25mm (±0.010")

REV.
A

PART NUMBER
OED-LDP65001E

CONFIDENTIAL INFORMATION
THE INFORMATION CONTAINED IN THIS DOCUMENT IS THE PROPERTY OF LUMEX INC. EXCEPT AS SPECIFICALLY AUTHORIZED IN WRITING BY LUMEX INC., THE HOLDER OF THIS DOCUMENT SHALL KEEP ALL INFORMATION CONTAINED HEREIN CONFIDENTIAL AND SHALL PROTECT SAME IN WHOLE OR IN PART FROM DISCLOSURE AND DISSEMINATION TO ALL THIRD PARTIES.

LUMEX
INCORPORATED

290 E. HELLEN ROAD
PALATINE, ILLINOIS 60067
PHONE: 1-847-359-2790
WEB: HTTP://WWW.LUMEX.COM

650nm LASER DIODE, TO-18 (∅5.6mm) PACKAGE,
5mW OUTPUT.

RELIABILITY NOTE
OUR MANY YEARS OF EXPERIENCE DATA ACCUMULATION INDICATE THAT SOLDER HEAT IS A MAJOR CAUSE OF EARLY AND FUTURE FAILURE. PLEASE PAY ATTENTION TO YOUR SOLDERING PROCESS.

DRAWN BY: JC	CHECKED BY:	APPROVED BY:	DATE: 12.13.06
			PAGE: 1 OF 1
			SCALE: N/A