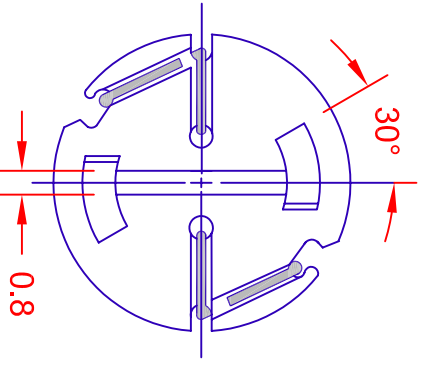
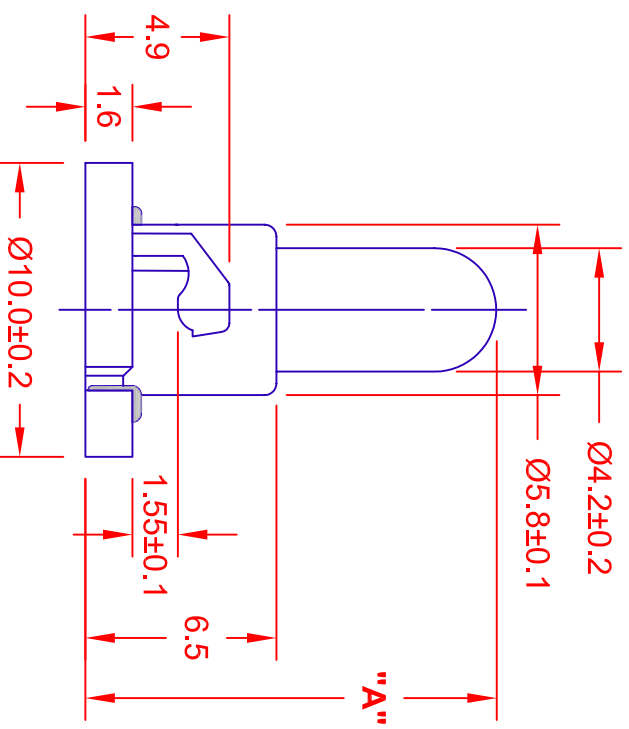
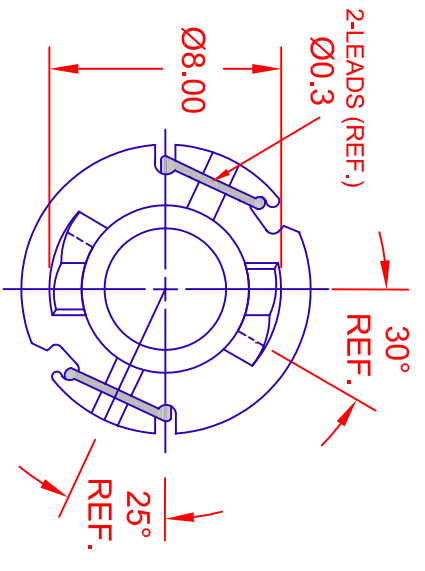
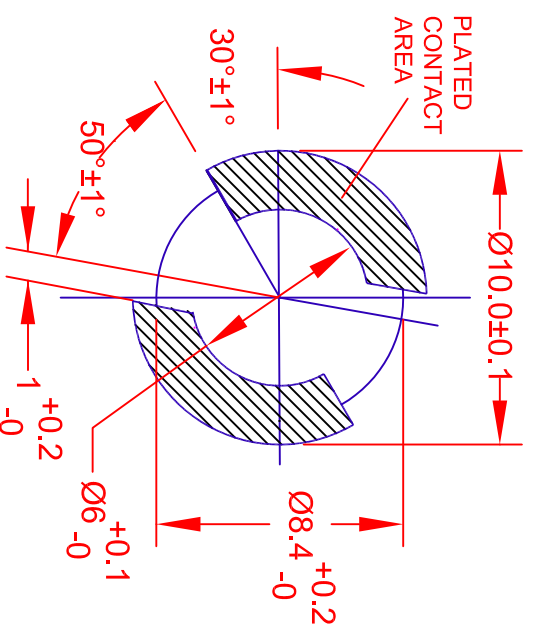


REV.	DESCRIPTION/ECO NO.	DATE
	RELEASED	9/83
A	10.0 +/- 0.2	9/84
B	1.55 +/- 0.05 to 1.55 +/- 0.1	1/85
C	DRAWING CONVERTED TO CAD	01/01/00
D	ADD DNW1-DW48 & DNW1-DW21	
D	DNW1-DW48 Pb FREE ADDED	3/17/05
E	DELETE PARTS DNW1-515, DW44	7/22/05

PC BOARD PUNCH PATTERN
(NO TREATMENT, SUCH AS APPLICATION
OF FLUX, SHALL BE DONE.)



MOL "A"	JKL LAMP NUMBER	VOLTS RATED	AMPS ±10%	*MSCP ±25%	*LUMENS ±25%	AVERAGE LIFE HRS.	FILAMENT TYPE
14.0 MAX.	DNW1-DW27	5.0	.040	.028	0.35	20,000	C-2R
	DNW1-583	5.0	.060	.050	0.63	100,000	C-2R
	DNW1-634	6.0	.200	.630	7.92	1,000	C-2R
	DNW1-DW50	8.0	.050	.095	1.19	10,000	C-2V
	DNW1-DW26	10.0	.040	.080	1.01	30,000	C-2F
16.0 MAX.	DNW1-DW46	12.0	.060	.160	2.01	10,000	C-2V
	DNW1-DW48**	14.0	.040	.150	1.89	10,000	C-2V
	DNW1-DW21	14.0	.060	.200	2.51	10,000	C-2V
14.0 MAX.	DNW1-DW07	14.0	.080	.300	3.77	15,000	C-2V
	DNW1-DW10	14.0	.100	.500	6.29	10,000	C-2F
	DNW1-DW40	18.0	.040	.150	1.89	10,000	C-2F
	DNW1-8627	28.0	.040	.340	4.27	2,800	C-2F

* LAMP RATED ONLY WITHOUT BASE.
** LAMP AND BASE ASSEMBLY LEAD (Pb) FREE.
CONTACT JKL FOR LEAD (Pb) FREE LOT IDENTIFICATION.

	DIMENSIONS ARE IN MILLIMETERS		TOLERANCE UNLESS OTHERWISE SPECIFIED	
	1 PL +/- 0.2	2 PL +/- 0.20	ANGLE +/-	0
	THIRD ANGLE PROJECTION			
DRAWN BY	APP'D BY	DATE	SIZE	FSCM NO.
L. WENGSTROM	J.K.	7/22/05	A	55335
- CAD DRAWING -		SCALE	NONE	RELEASED DATE
MANUAL REVISIONS NOT PERMITTED				9/83
<h1>JKL COMPONENTS CORPORATION</h1>		DNW1-MULTI		
TITLE		T-1 1/4 NEO-WEDGE BASE WITH MULTIPLE LAMP LISTING		
REV. NO.		7/22/05		
SHEET		1 OF 1		