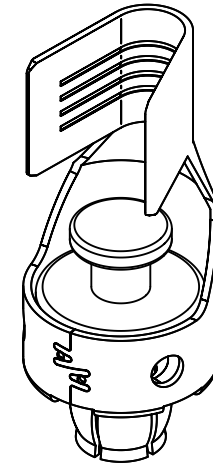
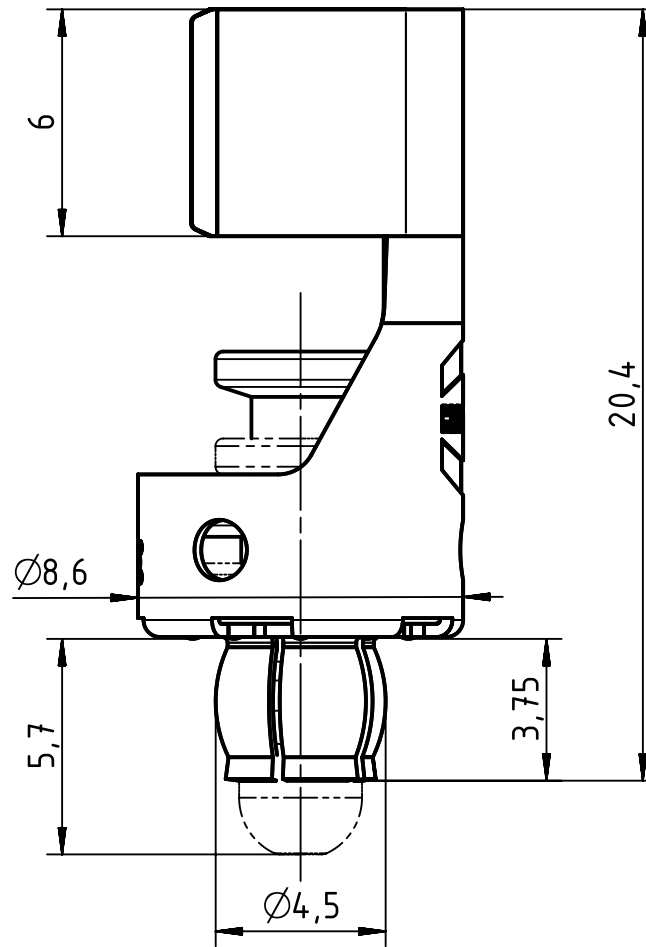
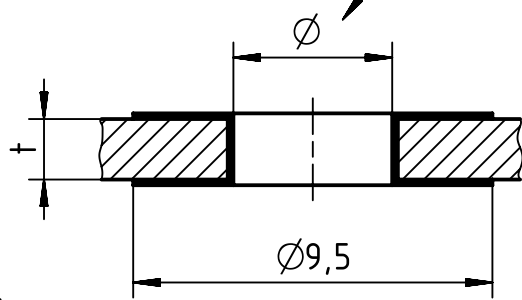




t	∅
1,6	4,4 $+0,05$ $-0,04$
2	4,4 $+0,05$ $-0,04$

PCB lay-out finished hole



	All rights reserved Department EL PD - DE HARTING Electric GmbH & Co. KG D-32339 Espelkamp	 All Dimensions in mm Original Size DIN A4	Scale 5:1	Free size tol.	Ref. Sub.
		Created by RULLKOETTER	Inspected by SCHNIEDER	Standardisation TIEMANNA	Date 2014-01-14
Title Han-Fast Lock 10mm <sup>2</sup> w.Pin, Ag					Doc-Key / ECM-Nr. 100230954/UGD/006/B 500000070361
Type TB			Number 09 08 000 7124		Rev. B
					Page 1/1