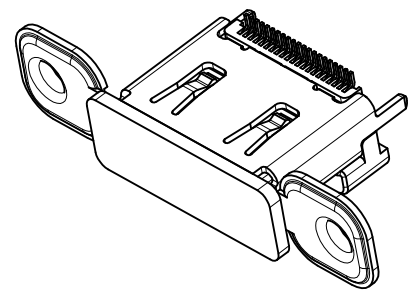
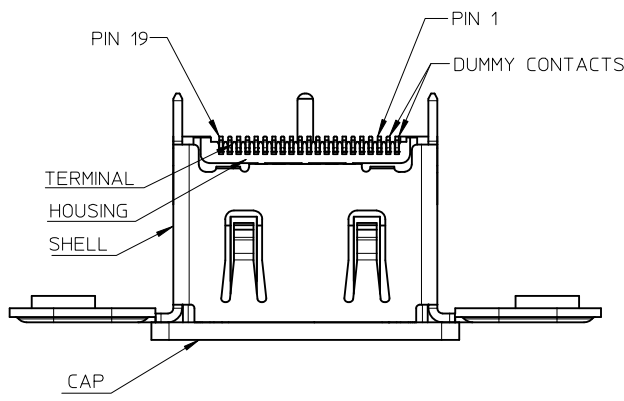


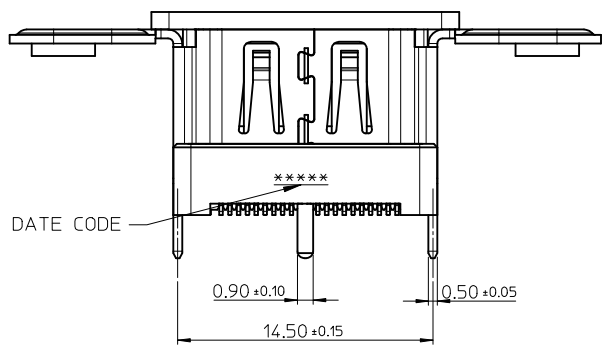
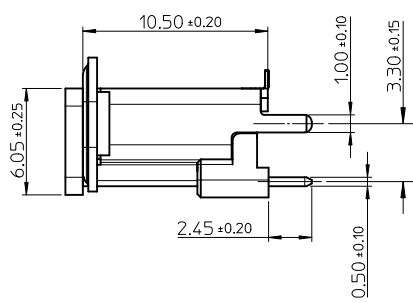
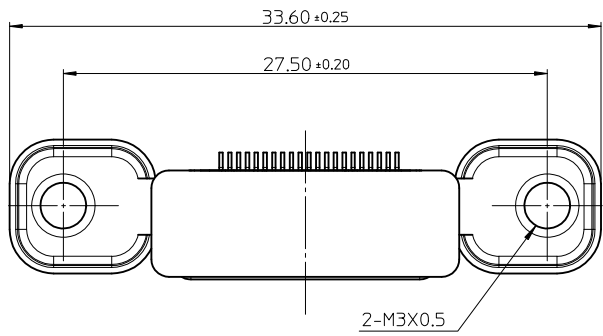
RECOMMENDED PCB LAYOUT  
THICKNESS IS 1.60MM

REVISED EC NO: SH2009-0591 DRW:KWEI CHK:RZHANG APPR:HWANG	2009/05/20 2009/05/20 2009/07/07	DESCRIPTION REV	QUALITY SYMBOLS	GENERAL TOLERANCES (UNLESS SPECIFIED)	DIMENSION STYLE	SCALE	DESIGN UNITS	THIRD ANGLE PROJECTION
			▽=0 □=0	mm    INCH 4 PLACES ± --- ± --- 3 PLACES ± --- ± --- 2 PLACES ± 0.25 ± --- 1 PLACE ± 0.25 ± --- ANGULAR ± ---°	MM ONLY	4:1	METRIC	
				DRAFT WHERE APPLICABLE MUST REMAIN WITHIN DIMENSIONS	DRAWN BY: RZHANG    DATE: 2008/08/12 CHECKED BY: RZHANG    DATE: 2008/08/12 APPROVED BY: HWANG    DATE: 2008/08/12	TITLE	SALES DRAWING VERTICAL HDMI RECEPT. WITHOUT SUPPORT	
					MATERIAL NO.    SEE SHEET 1 SIZE: A3	MOLEX INCORPORATED DOCUMENT NO.    SD-48307-822 SHEET NO.    2 OF 2		



NOTES:

1. MATERIAL:
  - HOUSING: GLASS FILLED HEAT RESISTED RESIN, UL94V-0.
  - TERMINAL: COPPER ALLOY.
  - SHELL: COPPER ALLOY.
  - CAP: GLASS FILLED HEAT RESISTED RESIN, UL94V-0.
2. PLATING:
  - TERMINAL:
    - CONTACT AREA: GOLD FLASH PLATING,
    - SOLDER AREA: 1 MICROMETER MIN. MATTE TIN PLATING,
    - UNDERPLATE: 1 MICROMETER MIN. NICKEL PLATING OVERALL.
  - SHELL:
    - SOLDER AREA: 1 MICROMETER MIN. MATTE TIN PLATING,
    - UNDERPLATE: 1 MICROMETER MIN. NICKEL PLATING OVERALL.
3. PRODUCT SPECIFICATION REFER TO PS-48307-901.
4. PACKAGE REFER TO PK-48307-822.
5. COPLANARITY OF SOLDER TAIL TO BE 0.1 MAX..
6. THE PART CAN COMPLIANT TO ROHS DIRECTIVE 2002/95/EC AND ELV DIRECTIVE 2000/53/EC.



48307-8022	6T+STRUCTURE 2
48307-8012	LCP+STRUCTURE 1
PART NUMBER	CAP SOLUTION

REVISED EC NO: SH2010-0272 DRWN: KCWEI CHKD: RZHANG APPR: XJ.SONG	2010/01/19 2010/01/20 2010/01/25	DESCRIPTION REV	QUALITY SYMBOLS	GENERAL TOLERANCES (UNLESS SPECIFIED) 4 PLACES ± --- ± --- 3 PLACES ± --- ± --- 2 PLACES ± --- ± --- 1 PLACE ± --- ± --- ANGULAR ± --- °	DIMENSION STYLE	SCALE	DESIGN UNITS	THIRD ANGLE PROJECTION	
					MM ONLY	3.5:1	METRIC		
					DRAWN BY	DATE	TITLE	SALES DRAWING VERTICAL HDMI RECEPT. WITHOUT SUPPORT	
					RZHANG	2008/08/12			
	CHECKED BY	DATE		MOLEX INCORPORATED DOCUMENT NO. SD-48307-822 SHEET NO. 1 OF 2					
	RZHANG	2008/08/12							
	APPROVED BY	DATE		THIS DRAWING CONTAINS INFORMATION THAT IS PROPRIETARY TO MOLEX INCORPORATED AND SHOULD NOT BE USED WITHOUT WRITTEN PERMISSION					
	HWWANG	2008/08/12							
	MATERIAL NO.								
	48307-80*2								

10 9 8 7 6 5 4 3 2 1

F F

E E

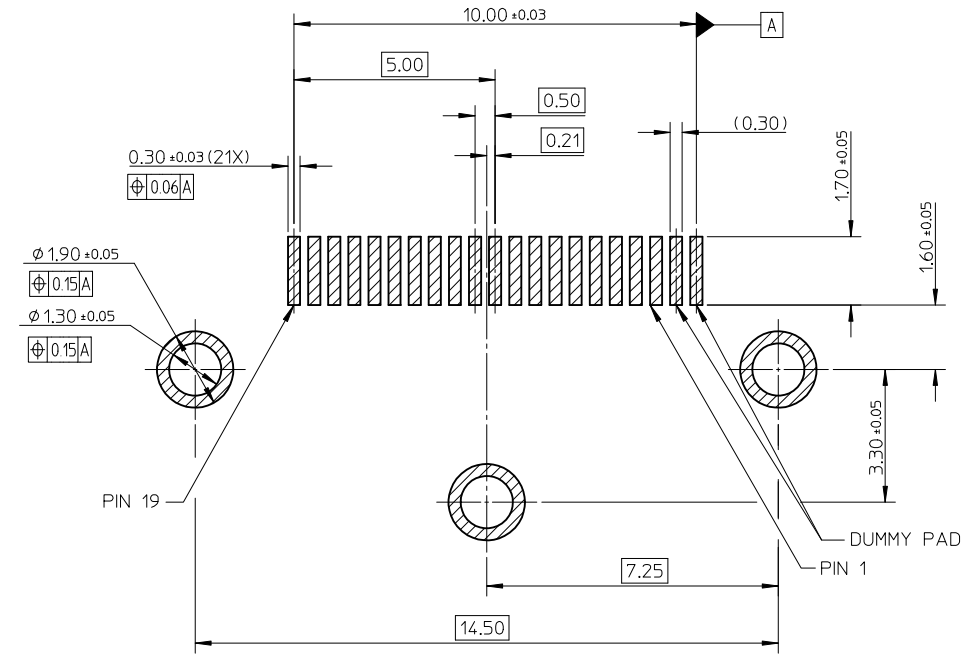
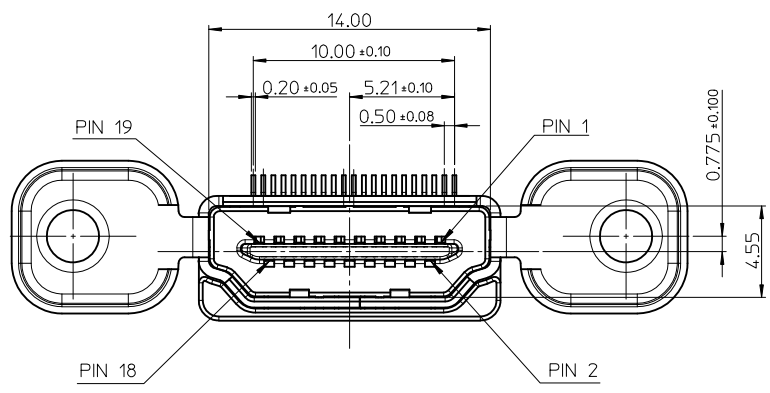
D D

C C

B B

A A

9 8 7 6 5 4 3 2 1



RECOMMENDED PCB LAYOUT  
THICKNESS IS 1.60MM

REVISED EC NO: SH2010-0272 DRW: KWWEI CHK: RZHANG APP: XJSONG	DESCRIPTION REV	QUALITY SYMBOLS	GENERAL TOLERANCES (UNLESS SPECIFIED)	DIMENSION STYLE MM ONLY	SCALE 4:1	DESIGN UNITS METRIC	THIRD ANGLE PROJECTION																																						
		$\nabla=0$ $\sphericalangle=0$	<table border="1"> <thead> <tr> <th></th> <th>mm</th> <th>INCH</th> </tr> </thead> <tbody> <tr> <td>4 PLACES</td> <td>± ---</td> <td>± ---</td> </tr> <tr> <td>3 PLACES</td> <td>± ---</td> <td>± ---</td> </tr> <tr> <td>2 PLACES</td> <td>± ---</td> <td>± ---</td> </tr> <tr> <td>1 PLACE</td> <td>± ---</td> <td>± ---</td> </tr> </tbody> </table>		mm	INCH	4 PLACES	± ---	± ---	3 PLACES	± ---	± ---	2 PLACES	± ---	± ---	1 PLACE	± ---	± ---	<table border="1"> <thead> <tr> <th>mm</th> <th>INCH</th> </tr> </thead> <tbody> <tr> <td>± ---</td> <td>± ---</td> </tr> <tr> <td>± ---</td> <td>± ---</td> </tr> <tr> <td>± ---</td> <td>± ---</td> </tr> <tr> <td>± ---</td> <td>± ---</td> </tr> </tbody> </table>	mm	INCH	± ---	± ---	± ---	± ---	± ---	± ---	± ---	± ---	<table border="1"> <thead> <tr> <th>DRAWN BY</th> <th>DATE</th> </tr> </thead> <tbody> <tr> <td>RZHANG</td> <td>2008/08/12</td> </tr> <tr> <th>CHECKED BY</th> <th>DATE</th> </tr> <tr> <td>RZHANG</td> <td>2008/08/12</td> </tr> <tr> <th>APPROVED BY</th> <th>DATE</th> </tr> <tr> <td>HWWANG</td> <td>2008/08/12</td> </tr> </tbody> </table>	DRAWN BY	DATE	RZHANG	2008/08/12	CHECKED BY	DATE	RZHANG	2008/08/12	APPROVED BY	DATE	HWWANG	2008/08/12	TITLE	<b>SALES DRAWING</b> <b>VERTICAL HDMI RECEPT.</b> <b>WITHOUT SUPPORT</b> <b>MOLEX INCORPORATED</b> DOCUMENT NO. <b>SD-48307-822</b>	SHEET NO. <b>2 OF 2</b>
			mm	INCH																																									
		4 PLACES	± ---	± ---																																									
3 PLACES	± ---	± ---																																											
2 PLACES	± ---	± ---																																											
1 PLACE	± ---	± ---																																											
mm	INCH																																												
± ---	± ---																																												
± ---	± ---																																												
± ---	± ---																																												
± ---	± ---																																												
DRAWN BY	DATE																																												
RZHANG	2008/08/12																																												
CHECKED BY	DATE																																												
RZHANG	2008/08/12																																												
APPROVED BY	DATE																																												
HWWANG	2008/08/12																																												
DRAFT WHERE APPLICABLE MUST REMAIN WITHIN DIMENSIONS	ANGULAR ± --- °	MATERIAL NO. <b>9999999999</b>																																											
		SIZE <b>A3</b>	THIS DRAWING CONTAINS INFORMATION THAT IS PROPRIETARY TO MOLEX INCORPORATED AND SHOULD NOT BE USED WITHOUT WRITTEN PERMISSION																																										